

Features

Various Lengths

- Outfit the Pit Gage with 2 or 4 extension arms.

Rotating Face

- Pivot the display 360° to accommodate inverted pit measurement.

Stroke

- 25 mm (1 in) digital indicator range.

Magnetic Arms¹

- Magnetic arms allow the Pit Gage to be attached to ferrous surfaces.

Pit gage configured using 2 extension arms and 2 magnetic extension arms. Digital display rotated 180° while magnetic arms are activated.



6 arm Pit Gage configuration achieved with use of 2 magnetic arms and 4 extension arms.

Kit Contents

Standard Kit Contents

- Digital Indicator²
- Centre Base
- Blind Side Base
- Extension Arms
- Indicator Tip³
- Rugged Carrying Case
- User Manual



Two arm Pit Gage configuration

Accessories

Extension Arm Kit

- Increase overall Pit Gage length to 103 cm (40.55 in) by adding 2 additional extension arms during large dent inspection.



Magnetic Arm Kit

- Arms with variable magnetic attraction provide ease of use during inverted inspection applications as well as increasing the overall length of the pit gage which allows measurement over a broad range.



Additional Features

Small Diameter Inspection

- A small radius along the bottom of the gage accommodates small diameters.

Waterproof

- Rated to IP67.

Warranty

- Three year warranty on all Jireh products⁴.

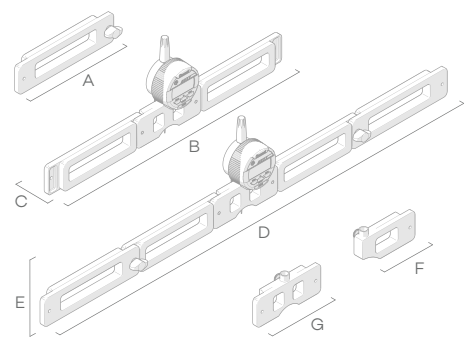
Weight and Dimensions

Shipping Weight

- 2 arm kit: 1.17 kg (2.6 lb)
- 4 arm kit: 1.54 kg (3.4 lb)

Dimensions

- A: 17.59 cm (6.93 in)
- B: 42.03 cm (16.55 in)
- C: 5.81 cm (2.29 in)
- D: 72.52 cm (28.55 in)
- E: 15.04 cm (5.92 in)
- F: 9.53 cm (3.75 in)
- G: 11.56 cm (4.55 in)



Specifications

Digital Indicator, Range

- 0 - 25 mm (0 - 1 in)

Digital Indicator, Resolution

- 0.01 mm (0.005 in)

Digital Indicator, Stem Diameter

- 9.52 mm (0.375 in)

Battery Requirements

- 2 - CR2032 lithium coin cells²

Inspection Surface

- Ferrous or non-ferrous materials



Four arm Pit Gage kit



Blind side base paired with a single extension arm

1. Magnetic arms optional.
2. Batteries included.
3. 2 Indicator tips included.
4. Limited warranty, conditions apply.

Environmental Specifications

Operating Environment

- -10° C (14° F) to 50° C (122° F)

Environmental Sealing

- Dust tight, waterproof³